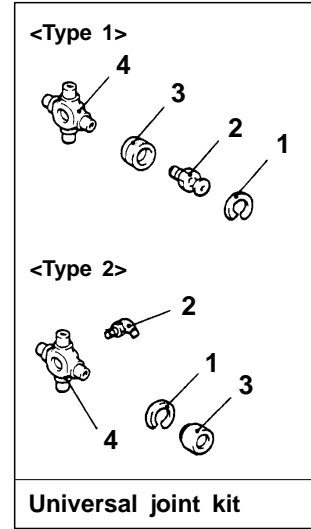
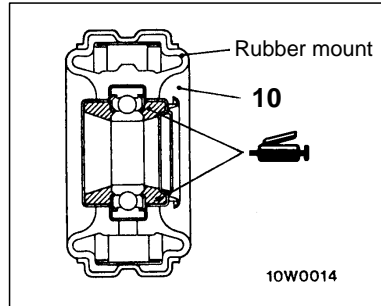
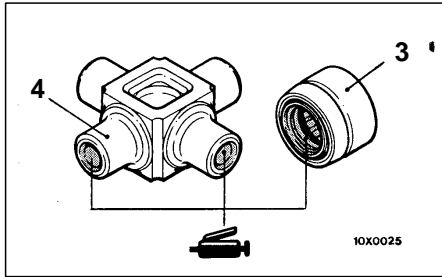
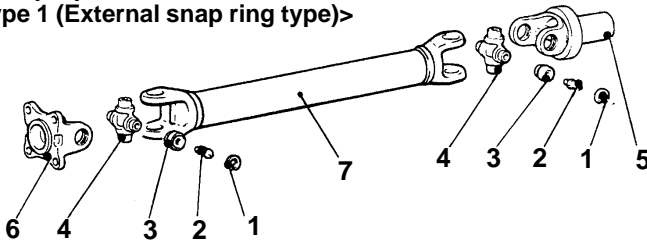


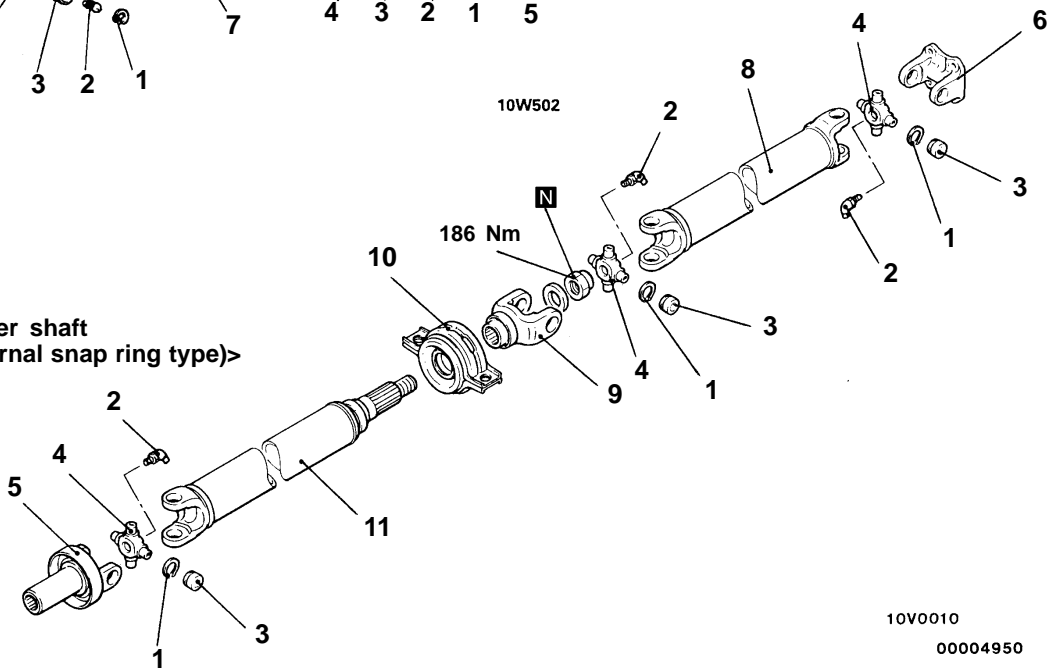
<4WD>



Front propeller shaft  
<Type 1 (External snap ring type)>



Rear propeller shaft  
<Type 2 (Internal snap ring type)>



**Disassembly steps**

- |         |                    |                             |
|---------|--------------------|-----------------------------|
| ◀A▶ ▶C▶ | 1. Snap ring       | 7. Front propeller shaft    |
| ◀B▶ ▶B▶ | 2. Grease fitting  | 8. Propeller shaft (rear)   |
|         | 3. Journal bearing | 9. Center yoke              |
|         | 4. Journal         | ◀C▶ ▶A▶                     |
|         | 5. Sleeve yoke     | ◀D▶ ▶A▶                     |
|         | 6. Flange yoke     | 10. Center bearing assembly |
|         |                    | 11. Propeller shaft (front) |